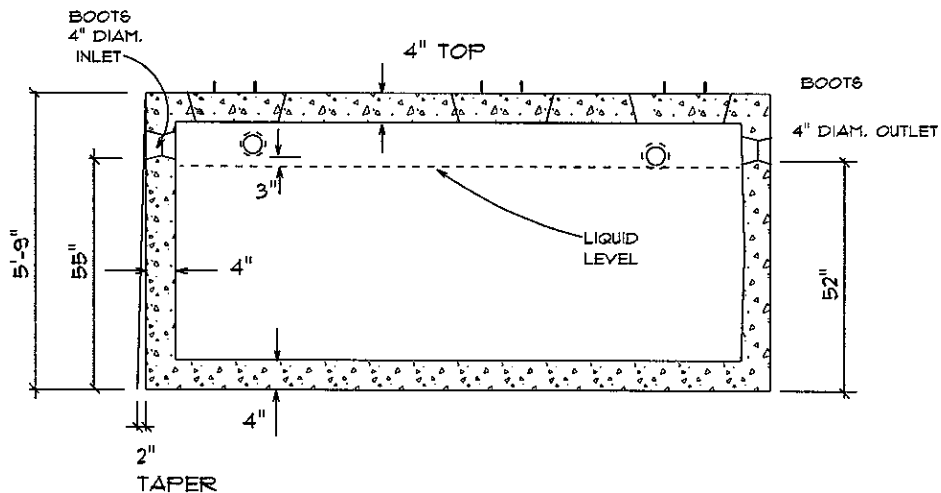


PLAN VIEW



SECTION VIEW

**2000 GALLON SEPTIC TANK
MONOLITHIC H-10**

NOTES:

1. TOP THICKNESS 4" REINF. WITH #4 REBAR @ 12" O.C. BOTH WAYS
2. BOTTOM THICKNESS 4" REINF. WITH #4 REBAR @ 12" O.C. BOTH WAYS
3. WALL THICKNESS 4" REINF. WITH 6x6 NO. 10 WELDED WIRE MESH
4. TONGUE AND GROOVE JOINT SEALED WITH BUTYL RESIN.
5. CONCRETE 4000 PSI MINIMUM AFTER 28 DAYS.
6. ALL REBAR ASTM A615 GRADE 60, 1" MIN. COVER.
7. APPROXIMATE WEIGHT 9,000 LBS
8. ALSO AVAILABLE: THICKER TOP FOR BUOYANCY
9. DESIGN CONFORMS WITH 310 CMR 15.00, DEP TITLE 5 REGS. FOR SEPTIC TANKS
10. ALL REINFORCEMENT PER ASTM C1227-93

STRUCTURAL NOTES:

11. MAXIMUM DEPTH OF SOIL COVER ABOVE TANK IS 3'-0"
12. DO NOT PLACE TANK WHERE IT COULD BE SUBJECTED TO EQUIPMENT OR VEHICLE LOADING.

WACHUSETT PRECAST, INC.

14 PRATTS JCT. RD.
P.O. BOX 901
STERLING, MA, 01564
1-800-244-1544

PHONE: 978-422-3311
FAX: 978-422-8818
EMAIL: WPRECAST@AOL.COM
WEB: WACHUSETTPRECAST.COM

2000 GALLON SEPTIC TANK
MONOLITHIC H-10

2018

NOT TO SCALE